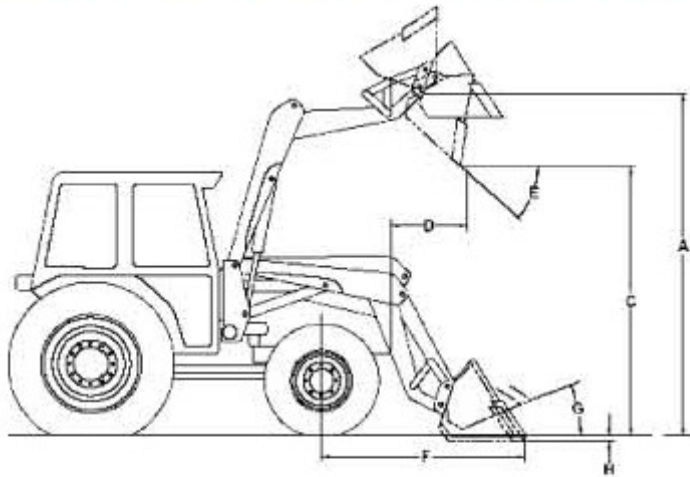




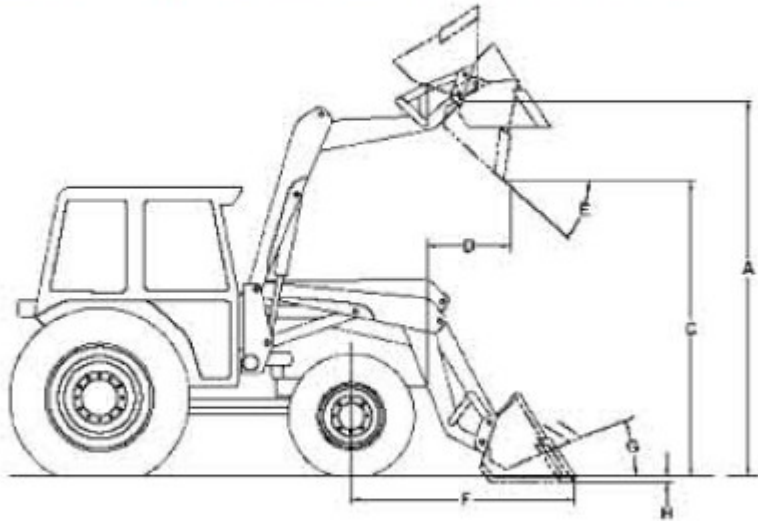
## YTO-404 TRACTOR WITH LOADER



Bucket Capacity = 0.23cbm    Lift Capacity = 300kg    Time to raise boom = 8sec  
A = 2400mm    C = 2000mm    D = 600mm    E = 42deg  
F = 1600mm    G = 30deg    H = 100mm



## YTO-X704 TRACTOR WITH LOADER



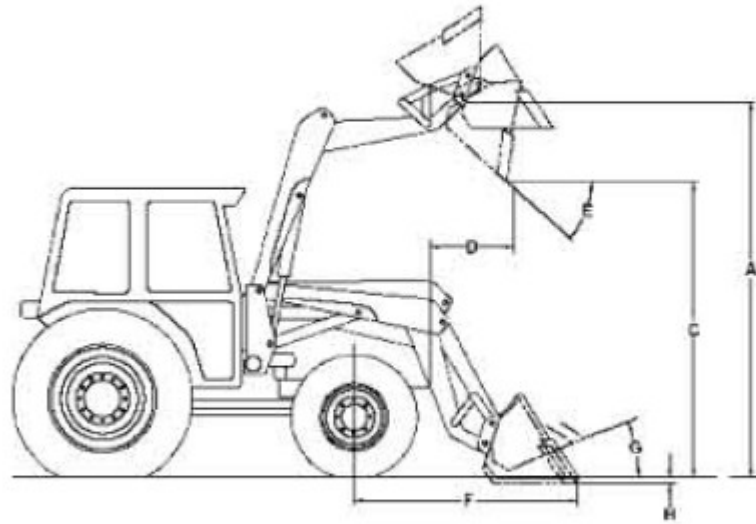
Bucket Capacity = 0.4cbm    Lift Capacity = 800kg    Time to raise boom = 10sec

A = 3300mm    C = 2350mm    D = 700mm    E = 44deg

F = 2100mm    G = 30deg    H = 100mm



## YTO-X904 TRACTOR WITH LOADER



Bucket Capacity = 0.5cbm    Lift Capacity = 1000kg    Time to raise boom = 10sec

A = 3400mm    C = 2400mm    D = 700mm    E = 44deg

F = 2100mm    G = 30deg    H = 100mm



## FRONT END LOADER SERIES/BACKHOE SERIES

### FRONT END LOADER SERIES:

- Use in shoveling, stacking or short-distance transportation of loose material like mud, sand stone or garbage.
- Hydraulic transmission is used, featured with compact structure, flexibility, convenient operation and quick mounting and dismounting. It uses hydraulic oil commonly with tractor. The hydraulic elements are standardized, convenient for operation and service.
- Different work devices are optional, such as combined buckets, grating cover bucket, pallet handler, timber grab and bale fork, etc. so as to accomplish different kinds of work successfully.

### BACKHOE SERIES:

- It's used for ditching in farms and grazing lands, digging pool, cleaning waterways as well as assistant excavating work in construction and building roads.
- Hydraulic transmission is used, featured with compact structure, flexibility, convenient operation and quick mounting and dismounting. It uses hydraulic oil commonly with tractor. The hydraulic elements are standardized, convenient for operation and service.
- To better accomplish different kinds of work, buckets of different sizes can be selected and mounted on it.

Front end loader model		TZ03A/B/C/D	TZ04A/B/C/D	TZ05A/B/C/D	TZ06A/B/C/D	TZ08A/B/C/D	TZ10A/B/C/D	TZ12A/B/C/D
Matching tractor	kW(hp)	14.7-22.1(20-30)	22.1-29.4(30-40)	29.4-36.8(40-50)	36.8-44.1(50-60)	44.1-58.8(60-80)	58.8-66.2(80-90)	88.2-102.9(120-140)
Rated lift capacity	hp	300	400	500	600	800	1000	1200
Max. dump height	mm	1800	2000	2100	2200	2350	2350	2500
Digging depth	mm	100	120	140	140	180	180	200
Bucket capacity	m <sup>3</sup>	0.18	0.3	0.35	0.4	0.48	0.6	1
Dump angle	°	42-45	42-45	42-45	42-45	42-45	42-45	42-45
Weight	kg	470-650	500-680	530-720	660-800	680-830	800-980	960-1150

Buckhoe model		LW-6(HW-03)	LW-7(HW-05)	LW-8(HW-06)	LW-12(HW-12)
Matching tractor	kW(hp)	14.7-22.1(20-30)	22.1-36.8(30-50)	36.8-58.8(50-80)	88.2-102.9(120-140)
Maximum digging depth	mm	1700	2100	2600	3600
Maximum unloading height	mm	1700	2300	2500	3200
Maximum digging height	mm	2700	3300	3400	4500
Maximum digging depth flat bottom	mm	1600	2000	2500	3500
Maximum swing angle	°	180	180	180	180
Bucket rotation angle	°	160	160	160	174
Bucket capacity	m <sup>3</sup>	0.03	0.048	0.06	0.2